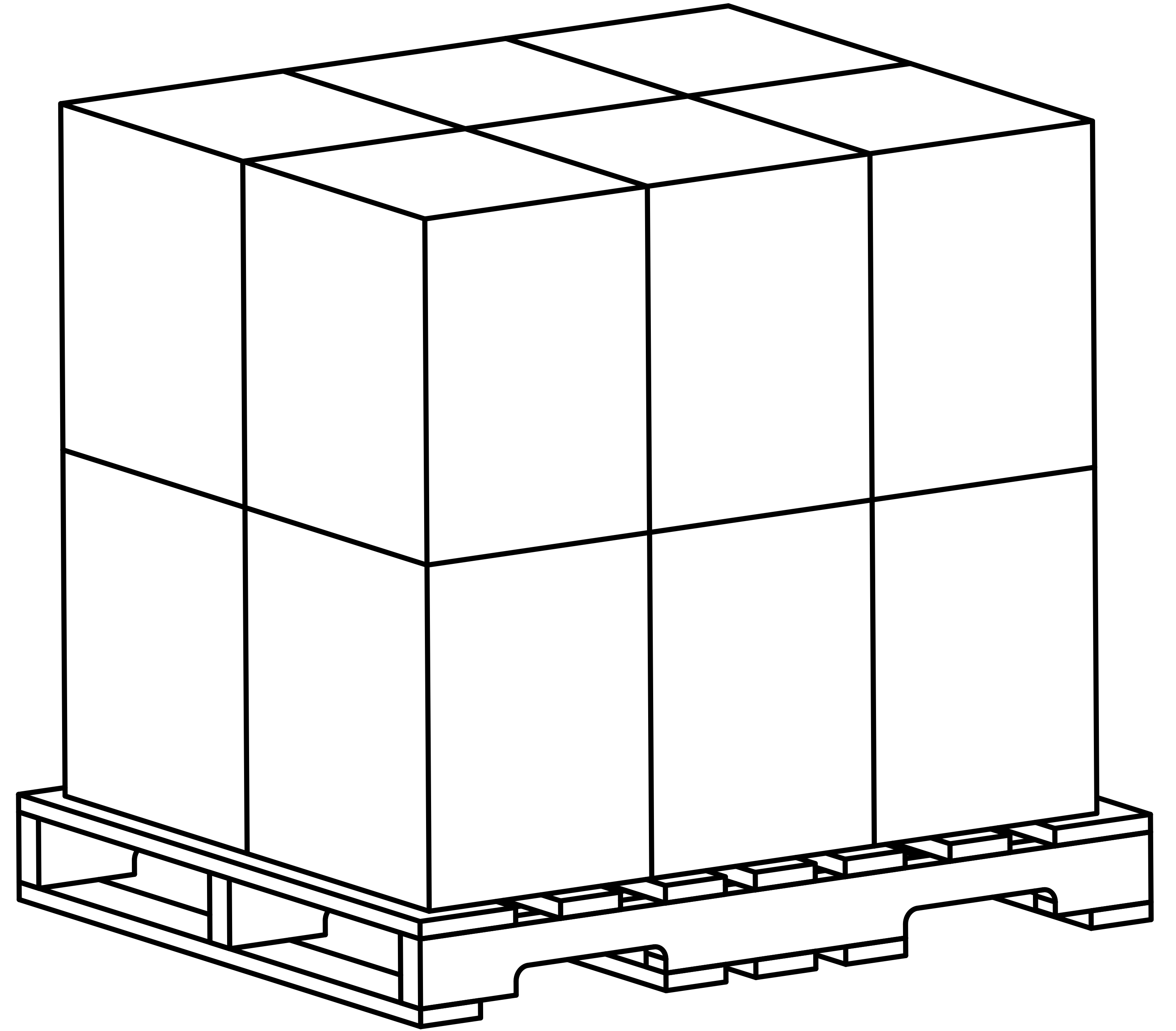
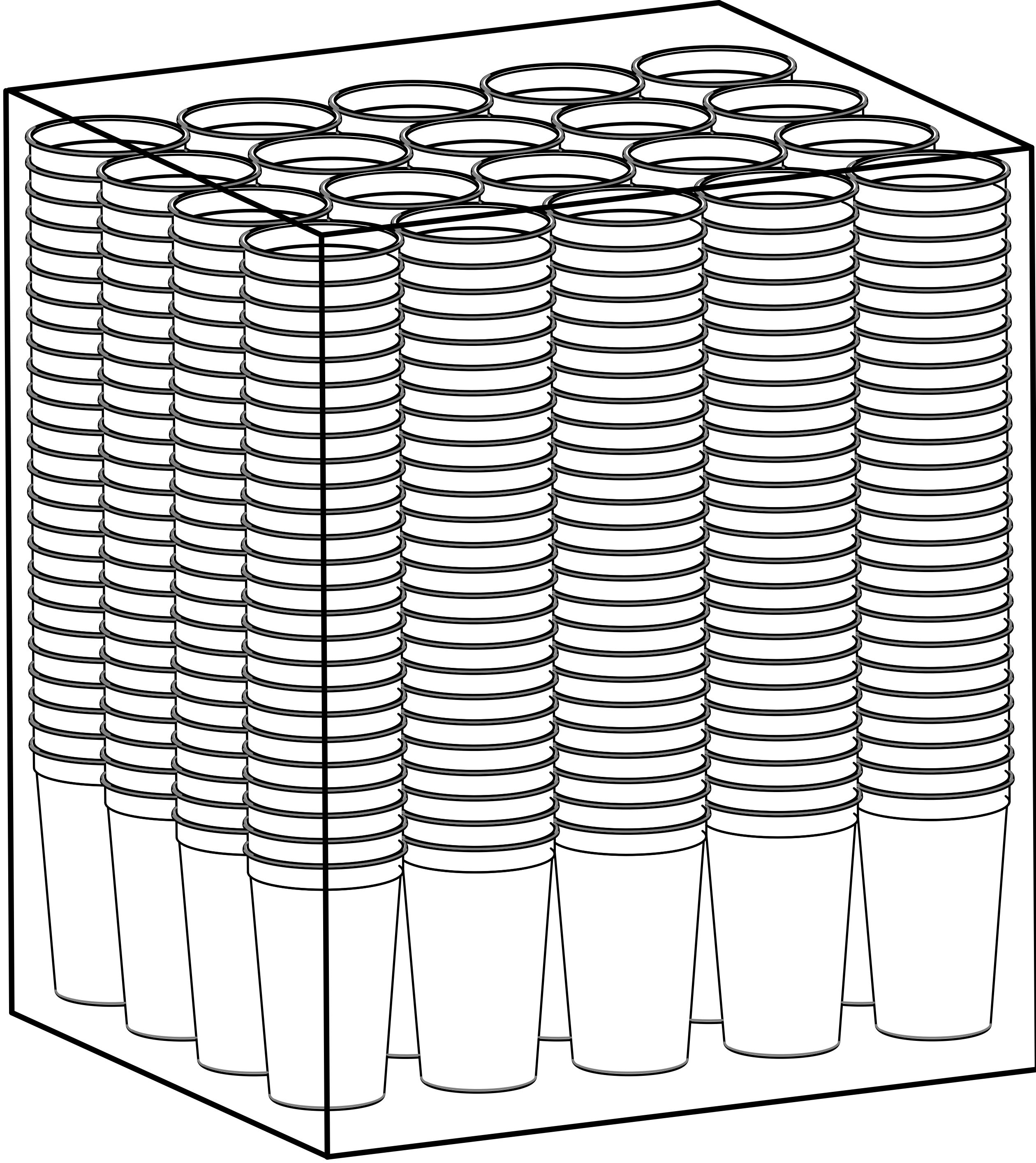


# 20SC

## C20SC-500-CASEPACK



PACK DESCRIPTION	ITEMS PER CASE	ITEMS PER SLEEVE
20oz SC CASEPACK	500	20

LOOSE WEIGHT	NET WEIGHT	CASE WEIGHT	CASE LENGTH	CASE WIDTH	CASE HEIGHT	CASE VOLUME
16	XXX	30	18 1/8	14 5/8	19 7/16	2.98

PALLET WEIGHT	ITEMS PER PALLET	CASES PER PALLET	PALLET LENGTH	PALLET WIDTH	PALLET HEIGHT
394	6000	12	48	40	45

TIE	HI	PALLET STACK	TRUCK LOAD 52' QT	TRUCK LOAD 48' QT
6	2	2	312000	288000

**CUSTOMER SPECIFICS** FOR INTERNAL USE ONLY

ITEM #	DESCRIPTION	UPC/GTIN
--------	-------------	----------

**MORE THAN A CUP.**