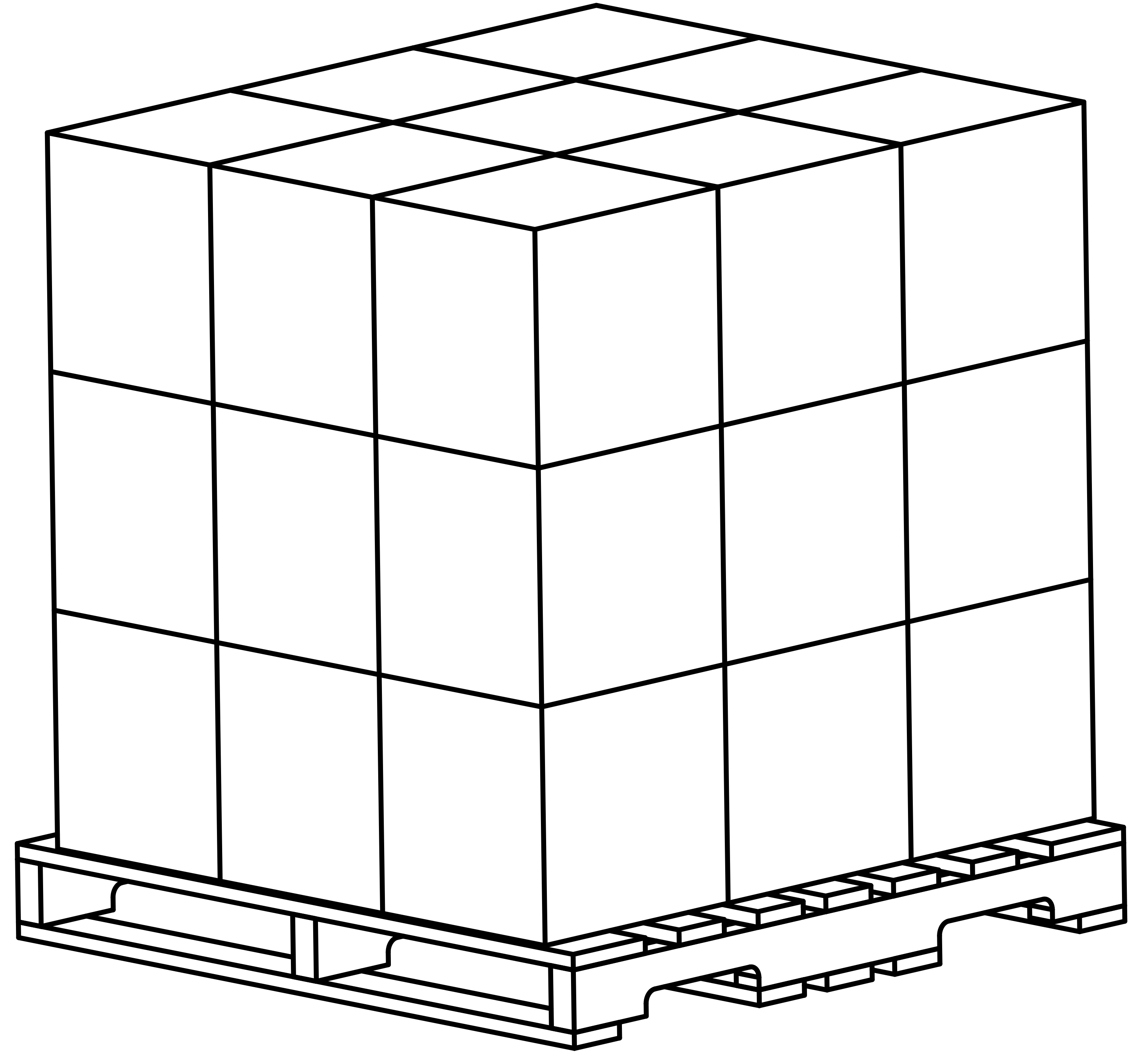
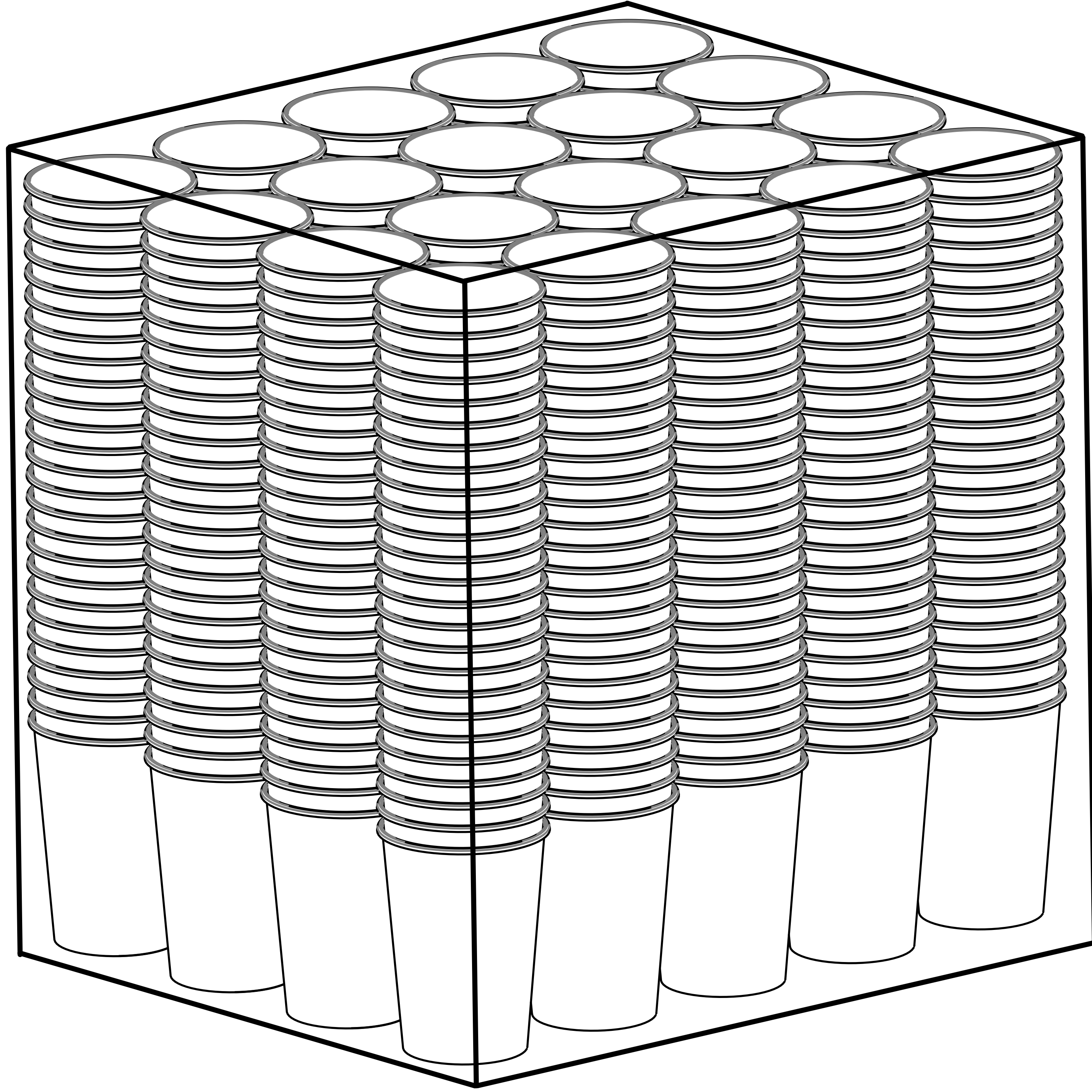


# 12IML

## C12IML-500-BULKPACK



PACK DESCRIPTION	ITEMS PER CASE	ITEMS PER SLEEVE
12oz IML BULKPACK	500	25

LOOSE WEIGHT	NET WEIGHT	CASE WEIGHT	CASE LENGTH	CASE WIDTH	CASE HEIGHT	CASE VOLUME
13	2	17	16 3/8	13 1/8	15	3.04

PALLET WEIGHT	ITEMS PER PALLET	CASES PER PALLET	PALLET LENGTH	PALLET WIDTH	PALLET HEIGHT
499	13500	27	48	48	51

TIE	HI	PALLET STACK	TRUCK LOAD 52' QT	TRUCK LOAD 48' QT
9	3	1	351000	324000

**CUSTOMER SPECIFICS** FOR INTERNAL USE ONLY

ITEM #	DESCRIPTION	UPC/GTIN
--------	-------------	----------

**MORE THAN A CUP.**