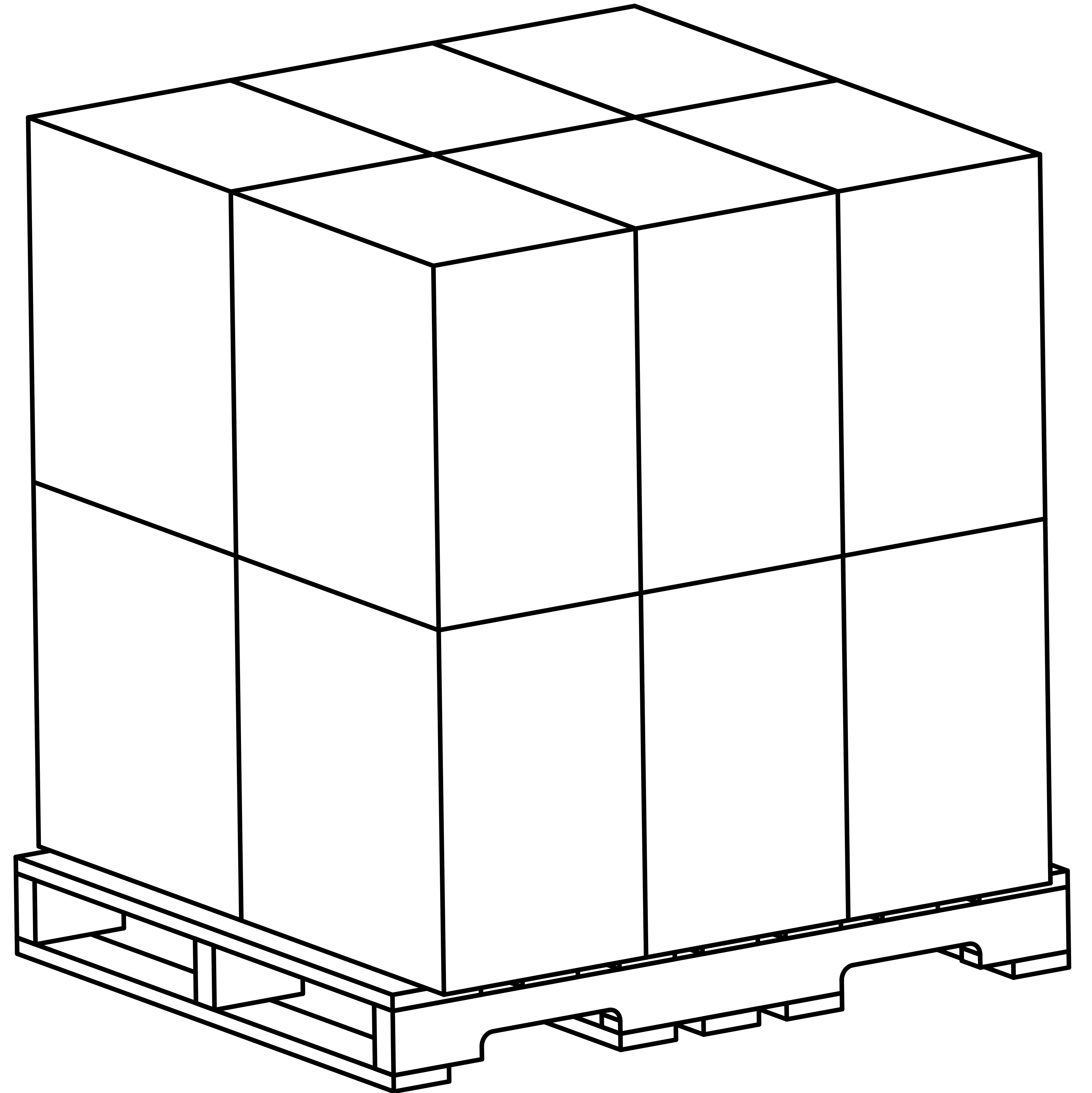
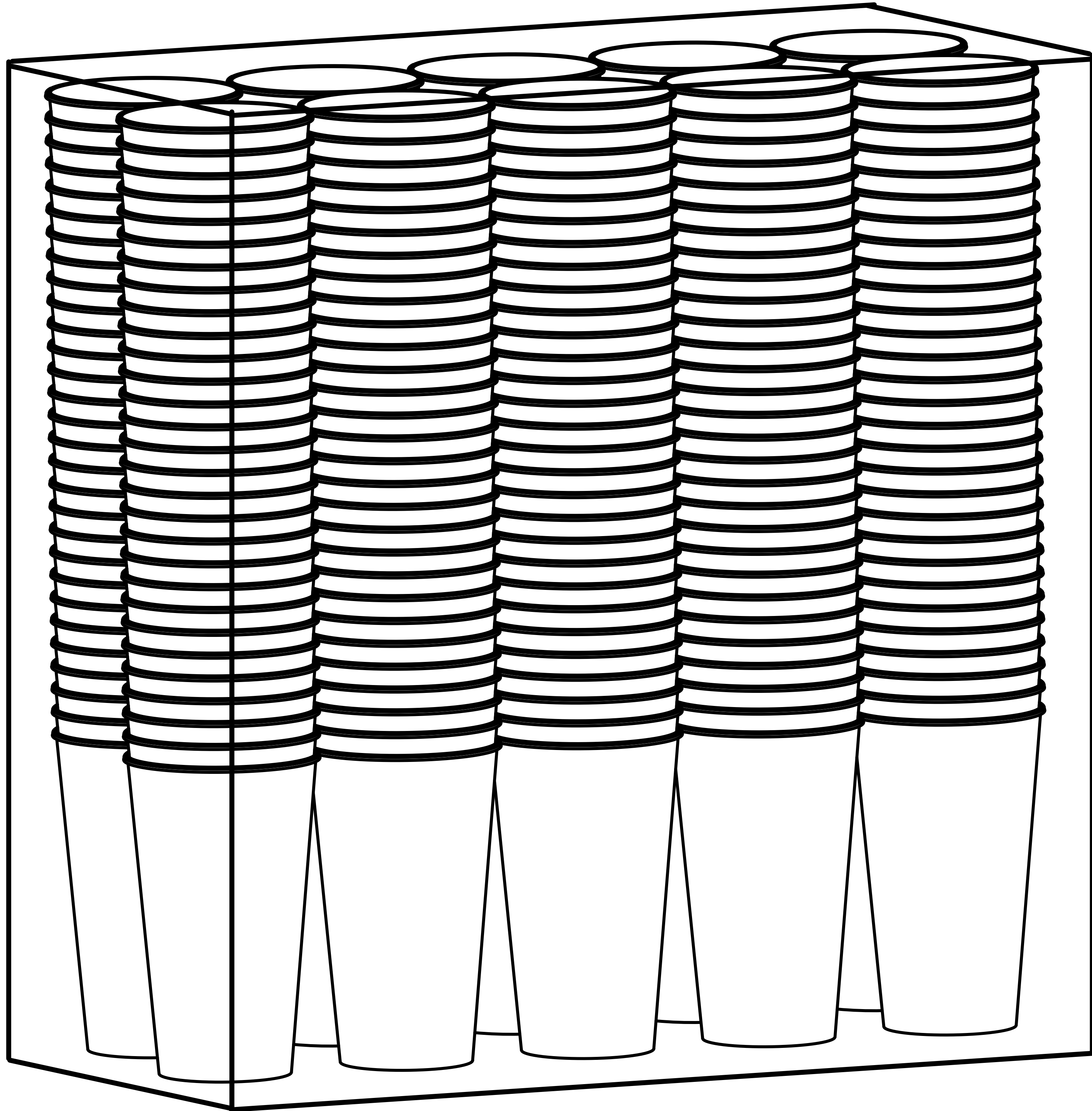


# 22IMLS

## C22IMLS-360-BULKPACK



PACK DESCRIPTION	ITEMS PER CASE	ITEMS PER SLEEVE
22oz IMLS BULK PACK	360	15

LOOSE WEIGHT	NET WEIGHT	CASE WEIGHT	CASE LENGTH	CASE WIDTH	CASE HEIGHT	CASE VOLUME
40	2	34	21 1/2	14 3/8	21 1/4	3.80

PALLET WEIGHT	ITEMS PER PALLET	CASES PER PALLET	PALLET LENGTH	PALLET WIDTH	PALLET HEIGHT
444	4320	12	48	40	48

TIE	HI	PALLET STACK	TRUCK LOAD 52' QT	TRUCK LOAD 48' QT
6	2	2	224640	207360

**CUSTOMER SPECIFICS** FOR INTERNAL USE ONLY

ITEM #	DESCRIPTION	UPC/GTIN
--------	-------------	----------

**MORE THAN A CUP.**