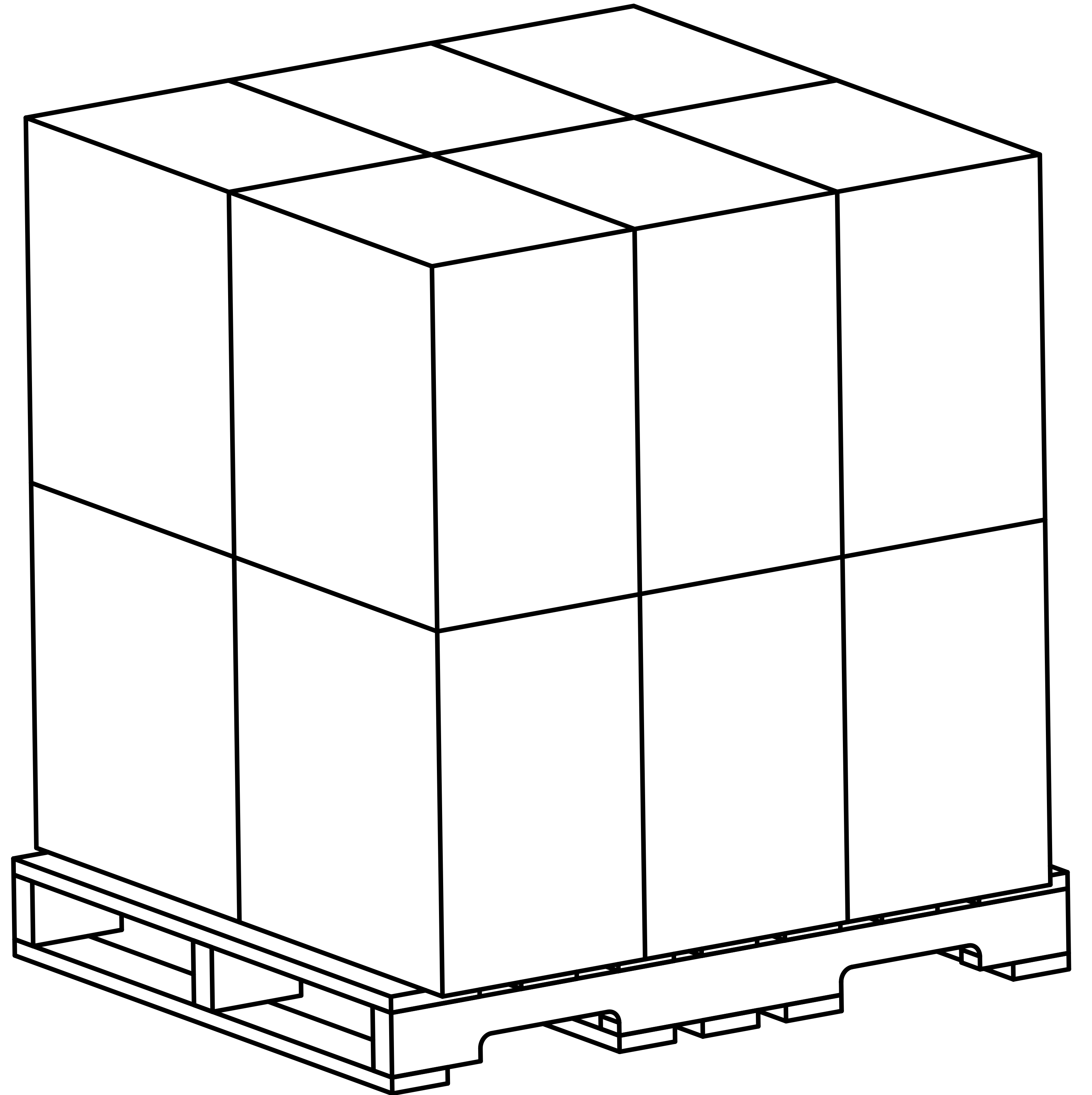
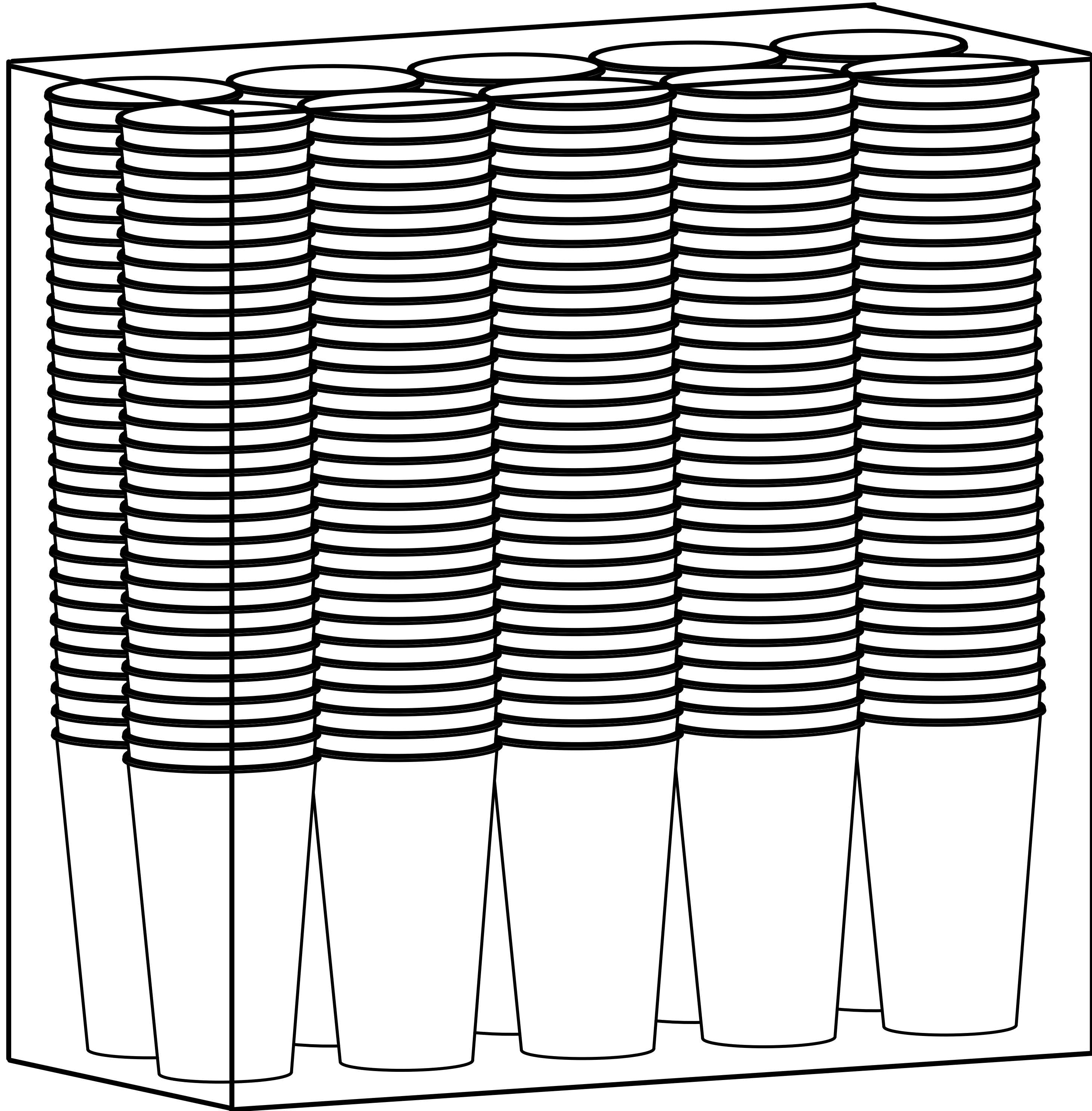


22LEN

C22LEN-360-BULKPACK



PACK DESCRIPTION		ITEMS PER CASE			ITEMS PER SLEEVE		
22oz LENTICULAR BULK PACK		360			15		
LOOSE WEIGHT	NET WEIGHT	CASE WEIGHT	CASE LENGTH	CASE WIDTH	CASE HEIGHT	CASE VOLUME	
40	2	34	21 1/2	14 3/8	21 1/4	3.80	
PALLET WEIGHT	ITEMS PER PALLET	CASES PER PALLET	PALLET LENGTH	PALLET WIDTH	PALLET HEIGHT		
444	4320	12	48	40	48		
TIE	HI	PALLET STACK	TRUCK LOAD 52' QT	TRUCK LOAD 48' QT			
6	2	2	224640	207360			
CUSTOMER SPECIFICS				FOR INTERNAL USE ONLY			
ITEM #	DESCRIPTION		UPC/GTIN				

MORE THAN A CUP.