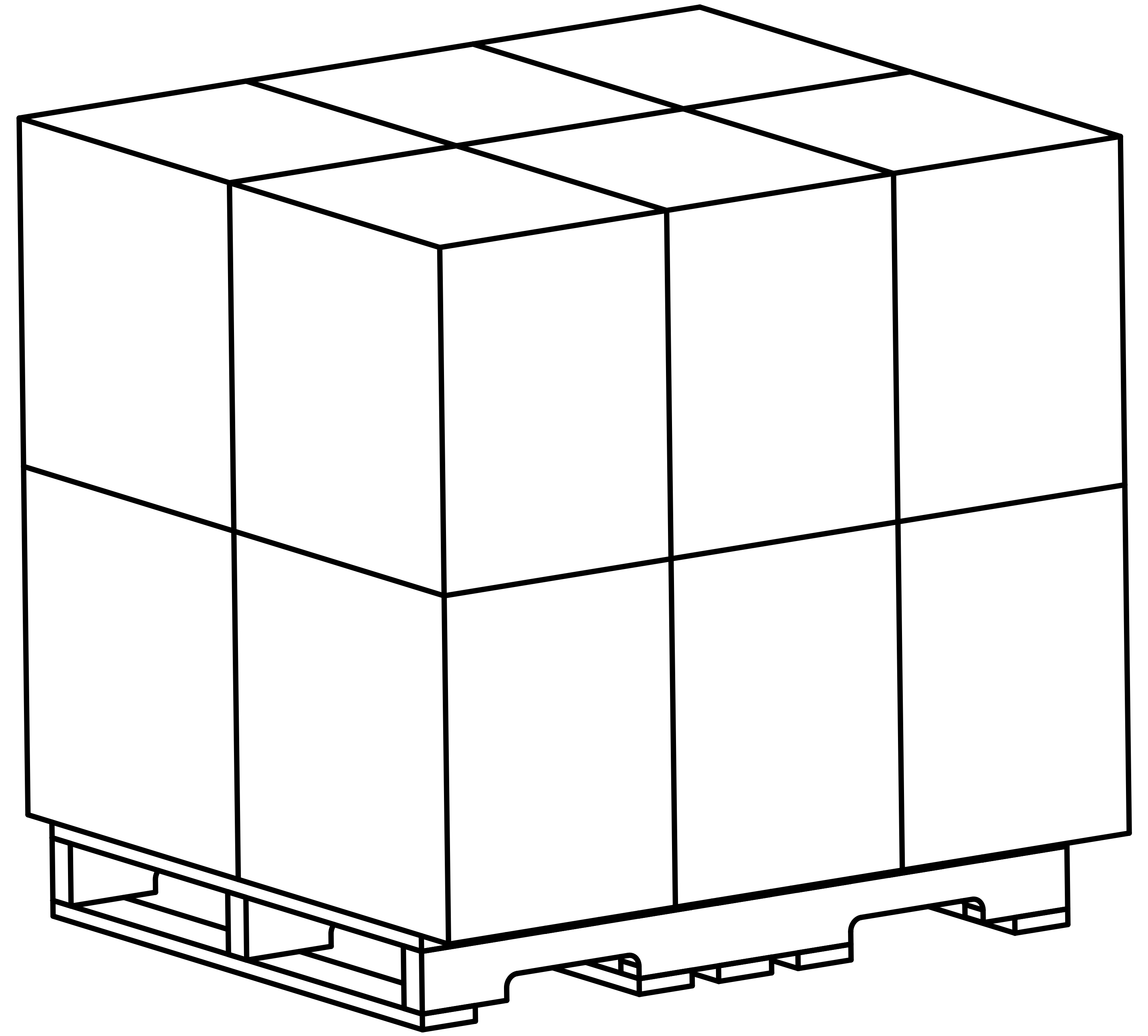
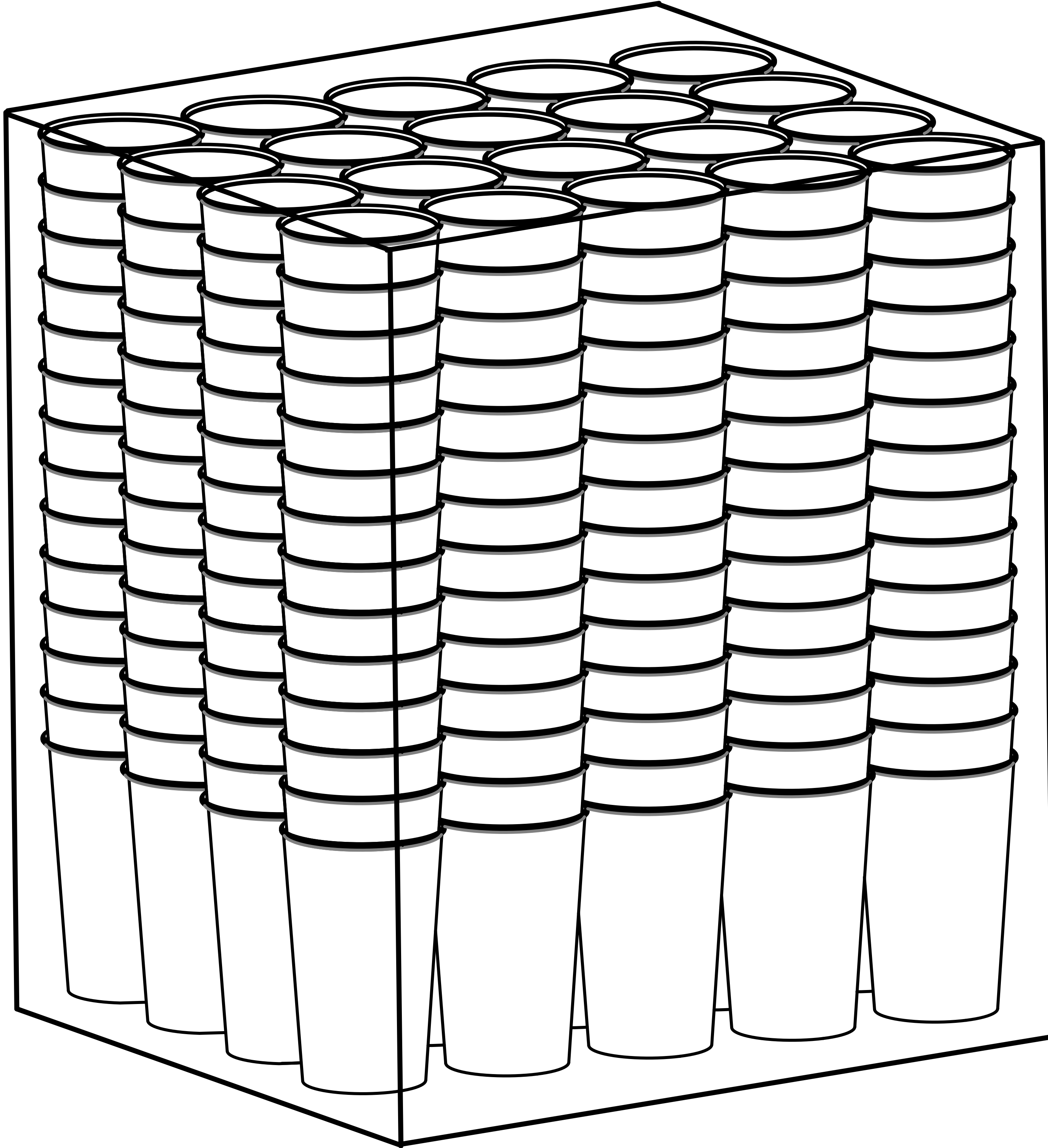


32LEN

C32LEN-280-BULKPACK



PACK DESCRIPTION		ITEMS PER CASE		ITEMS PER SLEEVE		
32oz LENTICULAR BULK PACK		280		14		
LOOSE WEIGHT	NET WEIGHT	CASE WEIGHT	CASE LENGTH	CASE WIDTH	CASE HEIGHT	CASE VOLUME
52	2	33	21 1/2	16 7/8	21 7/8	4.59
PALLET WEIGHT	ITEMS PER PALLET	CASES PER PALLET	PALLET LENGTH	PALLET WIDTH	PALLET HEIGHT	
432	3360	12	50	43	48 3/4	
TIE	HI	PALLET STACK	TRUCK LOAD 52' QT		TRUCK LOAD 48' QT	
6	2	2	174720		161280	
CUSTOMER SPECIFICS						FOR INTERNAL USE ONLY
ITEM #	DESCRIPTION		UPC/GTIN			

MORE THAN A CUP.