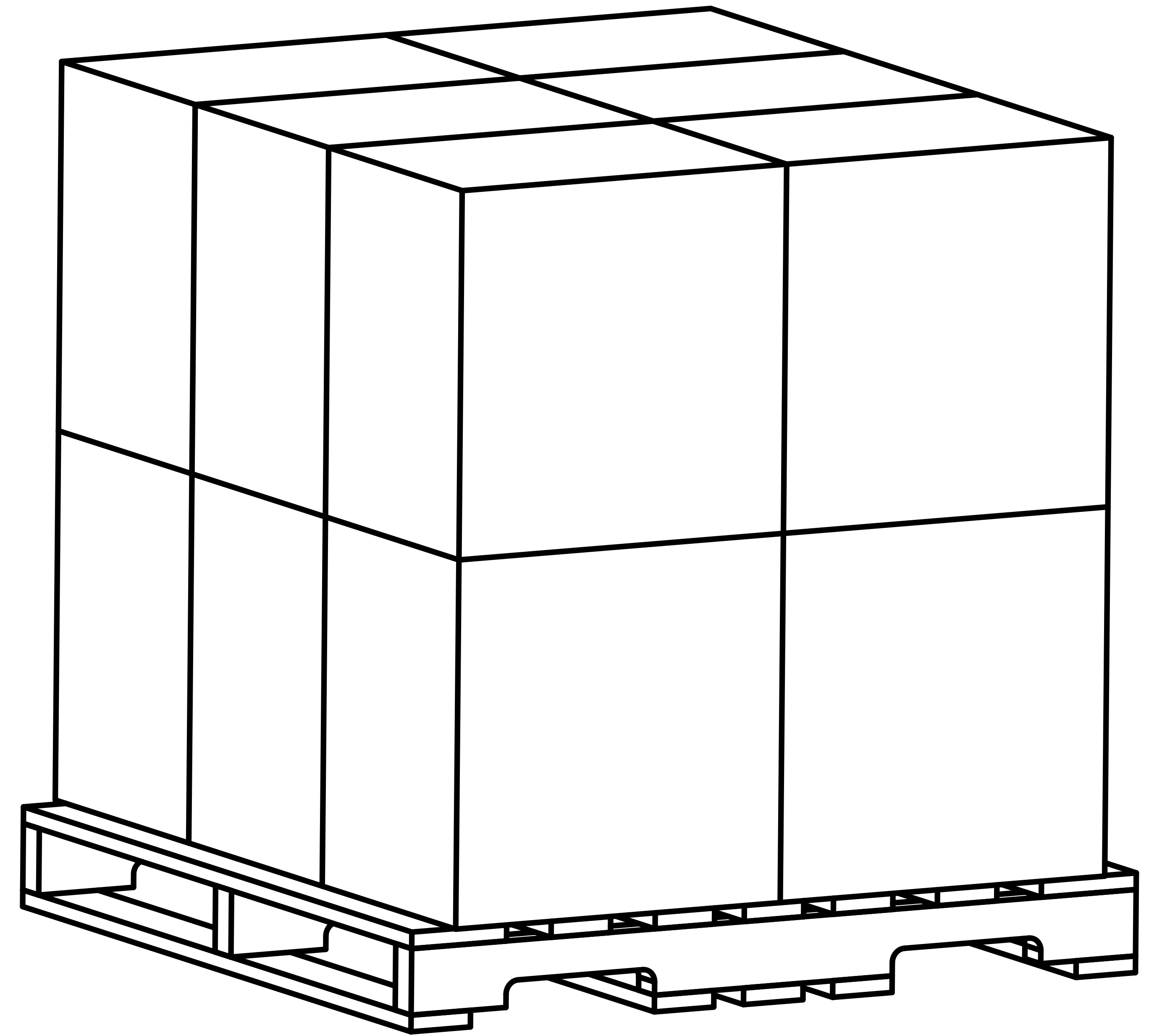
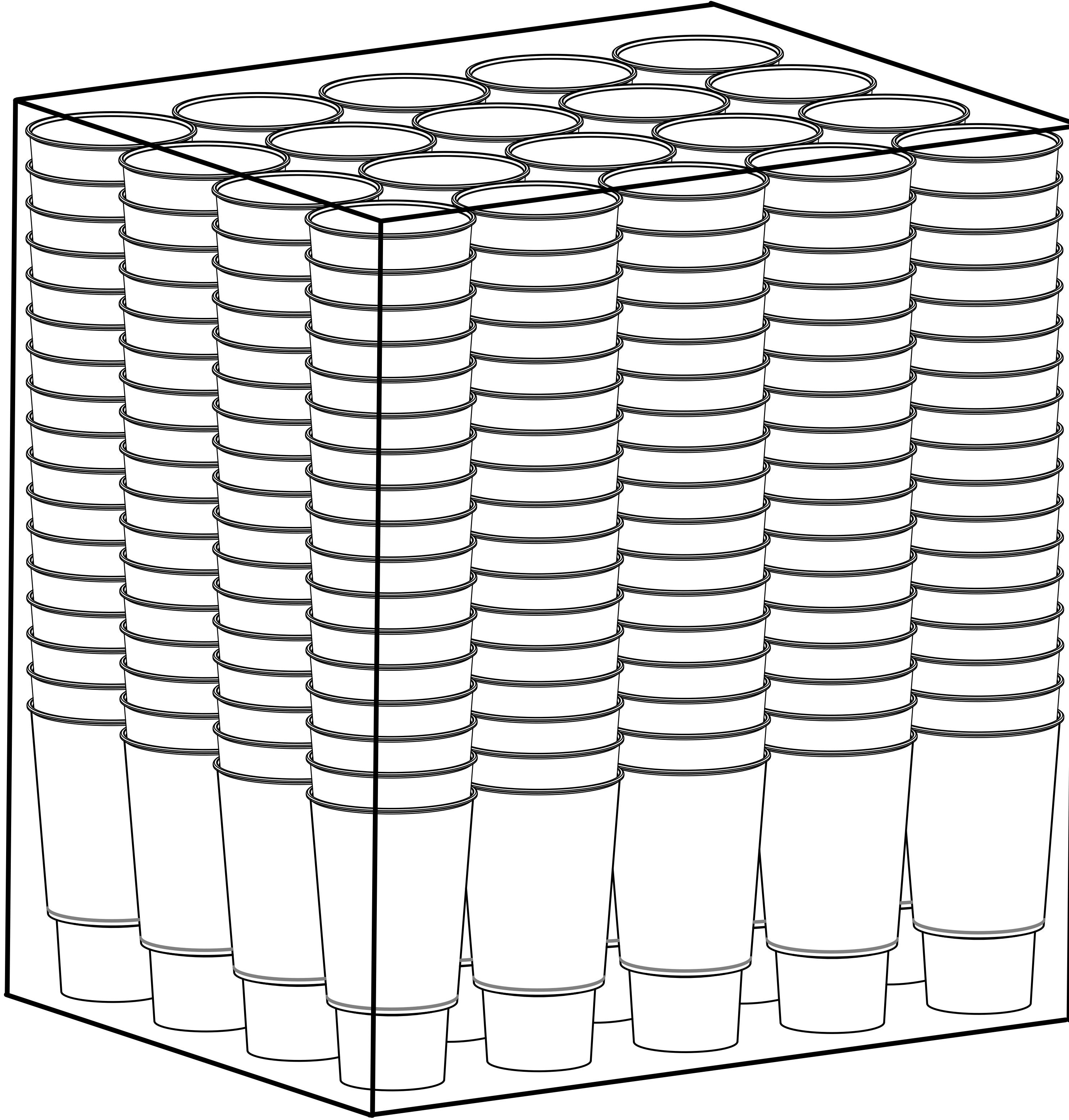


# 32LENTG

**C32LENTG-340-BULKPACK**



PACK DESCRIPTION		ITEMS PER CASE		ITEMS PER SLEEVE		
<b>32oz LENTICULAR TO GO BULK PACK</b>		<b>340</b>		<b>17</b>		
LOOSE WEIGHT	NET WEIGHT	CASE WEIGHT	CASE LENGTH	CASE WIDTH	CASE HEIGHT	CASE VOLUME
<b>51</b>	<b>2</b>	<b>40</b>	<b>21 1/2</b>	<b>16 3/4</b>	<b>21 7/8</b>	<b>4.56</b>
PALLET WEIGHT	ITEMS PER PALLET	CASES PER PALLET	PALLET LENGTH	PALLET WIDTH	PALLET HEIGHT	
<b>521</b>	<b>4080</b>	<b>12</b>	<b>48</b>	<b>40</b>	<b>48</b>	
TIE	HI	PALLET STACK	TRUCK LOAD 52' QT	TRUCK LOAD 48' QT		
<b>6</b>	<b>2</b>	<b>2</b>	<b>212160</b>	<b>195840</b>		
CUSTOMER SPECIFICS				FOR INTERNAL USE ONLY		
ITEM #	DESCRIPTION		UPC/GTIN			

**MORE THAN A CUP.**